



Solution for global control and transparency for a specialist logistics-solutions provider

■ Client:

Our Client is a German-based IT consultancy specialising in the development and implementation of logistics and business processes. Their customers require stable and transparent systems that offer simple process monitoring and control. They are often called upon to provide solutions that request a low level of user education, since rapid deployment is key in business, and downtime for system straining costs money. This requirement dictates the need for short-burst implementation phases, supported by an incremental procedure; there can't be any gap between the professional requirements and their technical implementation.

To meet complex customer requirements, our Client's solutions have to be flexible for fast and economical realisation of logistics activities. In overall terms, that means a modular and scalable structure; a structure, nonetheless, that is fully compatible with existing legacy systems.

■ Project description: global consistency

The application enables price calculation, worldwide, for service products based on time- and cost-optimised transport routes. This assures central control and transparency of global activities, which also takes into account specific local requirements.

The project involved significant streamlining through:

- automation of routing selection for international transport
- automation of price calculation
- worldwide support for standardised processes through own tool
- central accessible information (costs, routes, offers)
- sales process support through integration of the pricing model.

iQuest undertook the software development, testing and product maintenance.

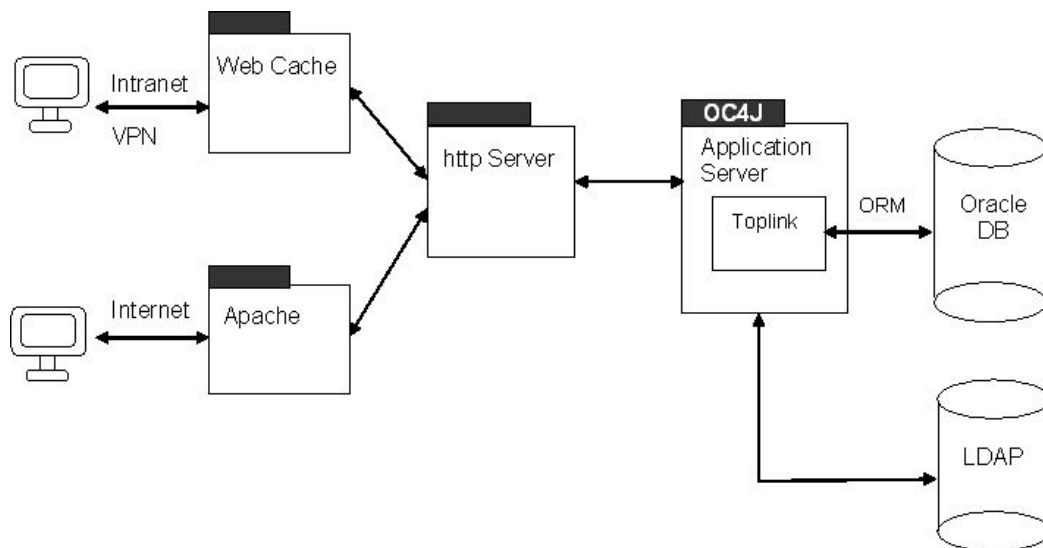
Our teams work with a technical development infrastructure that permits full transparency and quality of development, independent of location of work.

We also cover the user interface: requirements management, technical concepts, technical design, general project management and quality management.

■ Technologies

Enterprise Java application, integrated over web services in a service-oriented architecture.

■ System Overview



■ Results: in control of costs

Every user, worldwide, within a customer organisation can now gain access to a secure and extensible logistics application that enables substantial cost savings through:

- selection of optimal transport routes based on time and cost criteria
- replacement cost intensive manual transport route search with an automation tool-based search
- integrated, unified administration of master data as well as data related to transport network and commercial issues
- unified cost calculation
- possibility of post calculation
- generation of complex logistical and commercial reports.

About iQuest

Headquartered in Germany and having two development centres in Romania, iQuest is an IT solution provider delivering customised solutions in financial services, telecommunications, life sciences, logistics, media and IT. With over 12 years of experience and more than 320 employees in its 7 European locations, iQuest delivers best-in-class services for long-term clients in Germany, the United Kingdom, Switzerland and Sweden.